

<b>Index</b>	<b>Page</b>
Commercial Steel Frames.....	3
Exterior Pine Frames.....	2
Magnetic Weatherstrip .....	2
Oak Flats Jams.....	2
Q-Lon Weatherstrip .....	2
Rediflex .....	5
Rediframes.....	4
Smoke Seal .....	2
Thresholds .....	2

# **FIRE RATED FRAMES**

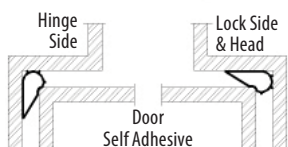
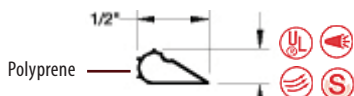
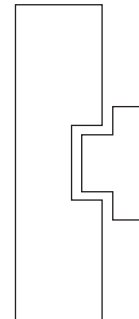
## 20 Minute Flat Oak Unfinished Jambs with Fire Label

Jamb sets are set up & machined to standard specifications, no sill included. Not for use in exterior applications.

Size	Solid Oak 3-0 x 7-0	Hard Edge Oak Veneer* 3-0 x 7-0	Maple 3-0 x 7-0
4-9/16"	★	---	★
4-13/16"	---	★	---
4-7/8"	★	---	★
5-1/4"	★	---	★
5-3/8"	---	★	---
6-9/16"	★	---	★
6-13/16"	★	---	★
7-1/4"	★	---	★

\* Call for lead time, --- special order.

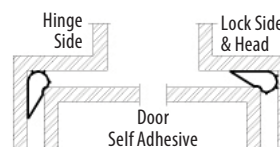
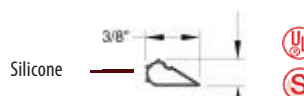
\* Hard-Edge jambs cannot be trimmed in width. For custom widths, use solid oak jambs.



**797B**  
Black Polypropylene Self Adhesive  
Weatherstrip Polypren Insert, UL  
Listed Length: 17 and 21 feet

Part Number 797B

797B-19      Smoke Seal



**638CH**  
Smoke Silicone Self Adhesive  
Weatherstrip Silicone Insert, UL  
Listed Length: 19 feet

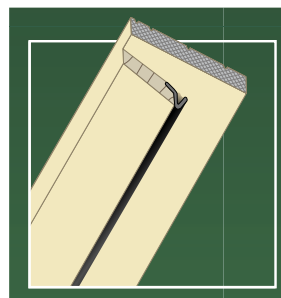
Part Number 638CH

638CH-19FT      Smoke Seal

## 20 Minute Exterior Pine Frame With Fire Label and Q-Ion Weatherstrip

Jamb sets are set up & machined to standard specifications, no sill is included. Not for use in exterior applications. Specify unfinished or primed.

Size
4 9/16"
4 13/16"
5 1/4"
6 9/16"
6 13/16"

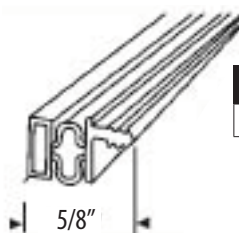


For Casing Go to  
Moulding Section

\* Custom sizes available \* Custom painting available



Weatherstrip - Short Reach (standard on exterior units)		
#WSCS30B	Bronze	3-0 pc
#WSCC68B	Bronze	3-0 pc
#WSCC80B	Bronze	8-0 pc
#WSCC68W	White	6-8 pc
#WSCC80W	White	8-0 pc



Weatherstrip - Magnetic		
#WSM68	Bronze	6-8 pc



Aluminum Threshold

#S204A-36      4 x 1/2



Oak Mini-Threshold

#30KMT-36'      3/4 x 1-11/16



3 1/2"      800-36

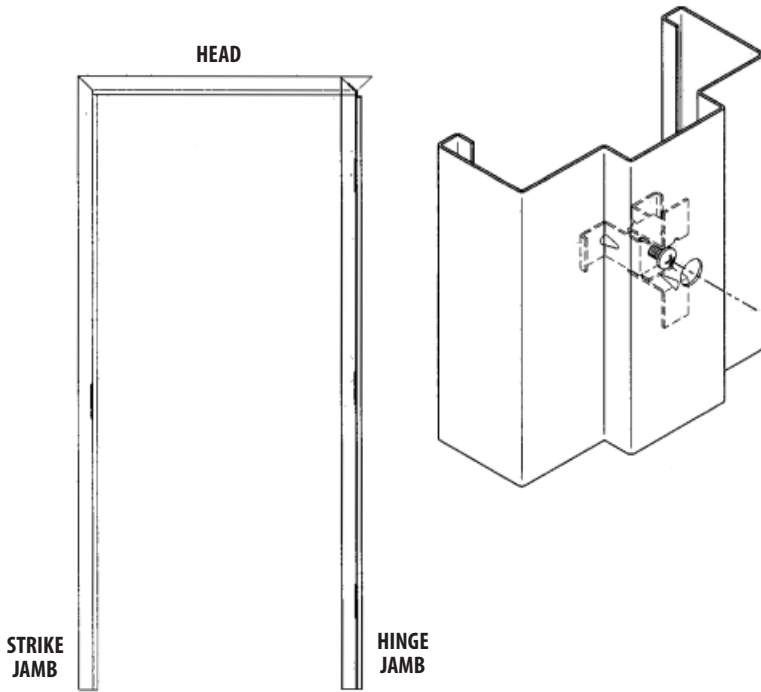


3 1/2"      8001V-36

For additional hardware click here <http://www.windowanddoorhardware.com>

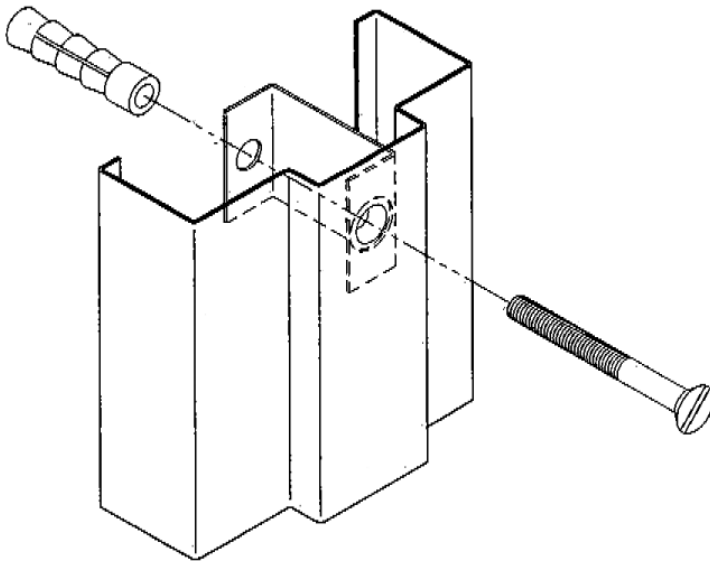
# COMMERCIAL STEEL 16 GAUGE FRAMES

## Knockdown (KD) Frames



- A frame is made of three members, two jambs and one head.
- A Comprehensive Anchor is used to compress the header between the two joints.
- As the adjustment screw is turned, the anchor pushes against the stud wall and locks the header in place.
- It is also known as a Pressure Anchor.
- This anchor is used on drywall frames, and in conjunction with the Snap-In Drywall Sill Anchor.

## Welded Frames



- These 1 piece frames come with a standard 2" face
- Non- standard FACE dimensions are available upon request. 1"-1 1/4"-1 1/2"
- Punched & Dimpled Frames may be required, depending on the type of anchor used.

**Need Help?**  
Ask your sales representative to come visit you

Standard Jamb Thickness 4 3/4 - 5 3/4 - 6 1/4 - 6 3/4 - 7 1/4 - 7 3/4 - 8 3/4  
90 minute lables available for fire rated applications.  
For commercial steel doors see page 3 in the Fire Door section.

For additional hardware click here <http://www.windowanddoorhardware.com>

# REDIFRAME STEEL FRAMES

Brown or Ivory colors are standard

Single Door	Gauge	Hinge Prep	Swing	Set 1 Hdr & 2 Uprts	Components Uprts / Ea	Components Header / Ea
<b>4-3/4" x 6-8</b>						
SET 31 Single Strike	20	4-1/2" - Sq Corner	Reversible LH or RH	2-8, 3-0	6' 8	2-8, 3-0
SET 31 Double Strike	20	4-1/2" - Sq Corner	Specify LH or RH			
<b>4-7/8" x 6-8</b>						
SET 3 Single Strike (for 1-3/8" door)	20	3-1/2" Radius	Reversible LH or RH	2-8, 3-0, 3-6	6' 8	2-8, 3-0, 3-6
SET 31 Single Strike	20	4-1/2" Sq Corner	Reversible LH or RH			
SET 31 Double Strike	20	4-1/2" Sq Corner	Specify LH or RH			
<b>4-7/8" x 7-0</b>						
SET 31 Single Strike	20	4-1/2" Sq Corner	Specify LH or RH	2-6, 2-8, 3-0, 3-6	6' 8	2-6, 2-8, 3-0, 3-6
<b>5-3/8" x 6-8</b>						
SET 31 Single Strike	20	4-1/2" Sq Corner	Reversible LH or RH	2-8, 3-0	6' 8	2-8, 3-0
SET 31 Double Strike	20	4-1/2" Sq Corner	Specify LH or RH			
<b>6-7/8" x 6-8</b>						
SET 31 Single Strike	18	4-1/2" Sq Corner	Reversible LH or RH	2-8, 3-0	6' 8	2-8, 3-0
SET 31 Double Strike	18	4-1/2" Sq Corner	Specify LH or RH			
<b>7-3/8" x 6-8</b>						
SET 31 Single Strike	18	4-1/2" Sq Corner	Reversible LH or RH	3-0	6' 8	3-0
SET 31 Double Strike	18	4-1/2" Sq Corner	Specify LH or RH			

### Rediframe Specs

SET 3 hinge prep = Three 3 1/2" w/1/4" radius corners  
 SET 31 hinge prep = Three 4 1/2" w/square corners  
 SET 33 hinge prep = Six 4 1/2" w/square corners

### Color:

Rediframe Brown and Ivory

### Door Size:

1-3/4" Thickness (Set 3 = 1 3/8")

### Casing:

1-1/4" Flat Steel

### Strike Prep:

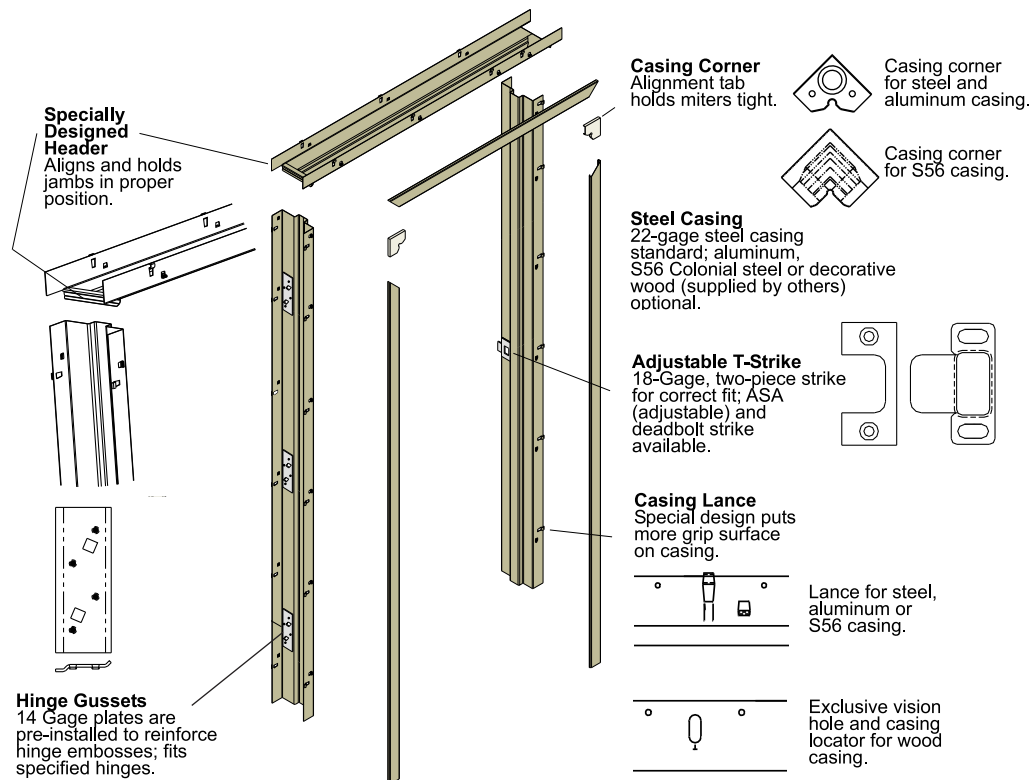
1-1/4" x 2-3/4" T-strike

### Dead Strike Prep:

8" OC above T-strike

### Rediframe Options

#RFRB Closer Reinforce Bracket  
 #RFDBS4 Dead Bolt Strike Plate - US4  
 #RFDBS2 Dead Bolt Strike Plate - US26D  
 #RFDBSO Dead Bolt Strike Plate - US10B  
 #RFDBSCB Dead Bolt Strike Center  
 #RF30CS Rediframe Casing Set



These frames meet a 90 minute fire rating.

For additional hardware click here <http://www.windowanddoorhardware.com>

# REDIFLEX STEEL FRAMES

Brown or Ivory colors are standard

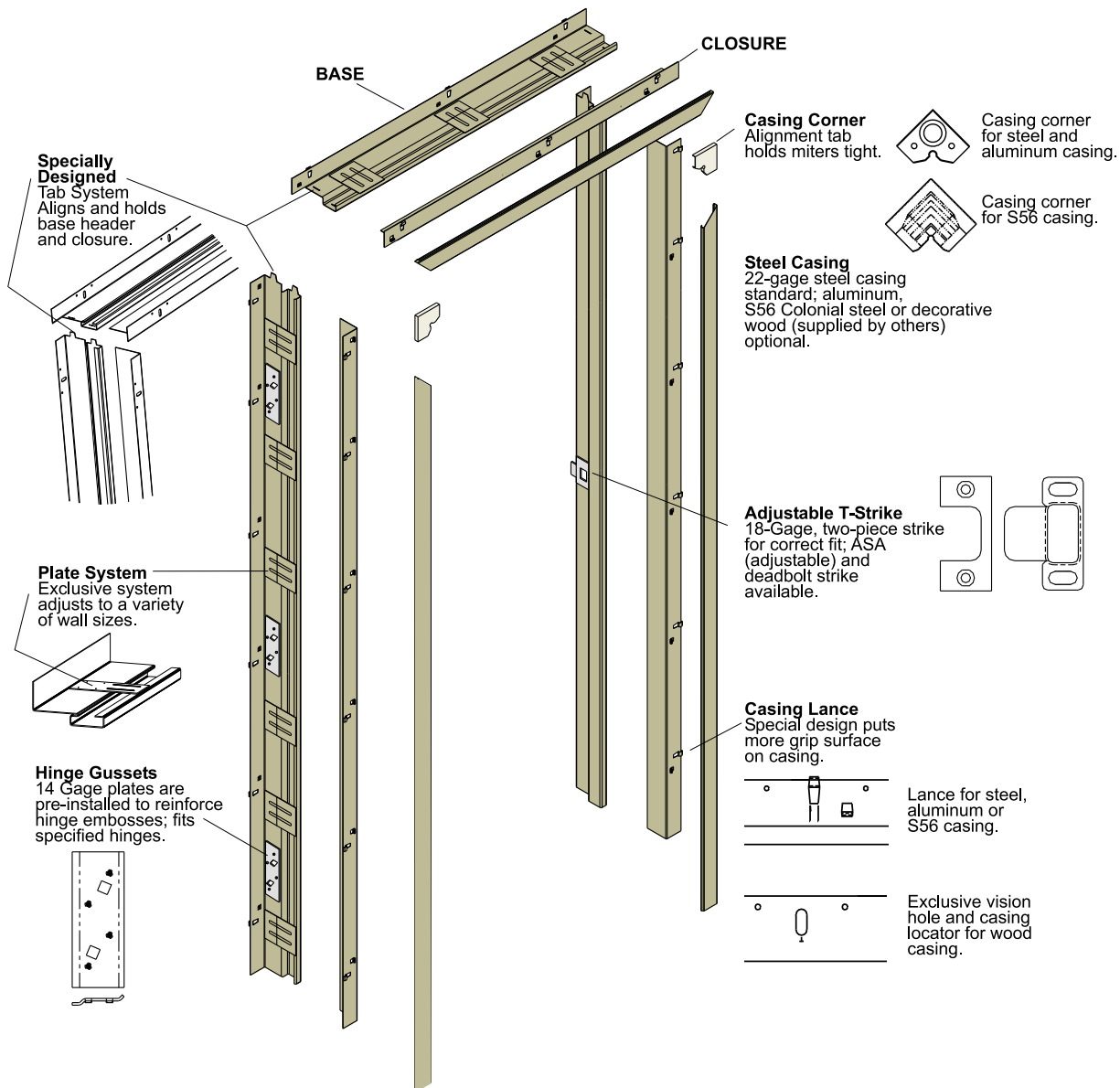
Single Door Non-Kerfed	Gauge	Hinge Prep	Swing	Set 1 Hdr & 2 Uprts	Components Uprts / Pr	Components Header / Ea
<b>4 to 5-1/4" x 6-8"</b>						
SET 31 Double Strike	18	4-1/2" - Sq Corner	Specify LH or RH	2-6, 2-8, 3-0	6-8'	<b>2-6, 2-8, 3-0</b>
<b>6 to 7-1/4" x 6-8"</b>						
SET 31 Double Strike	18	4-1/2" Sq Corner	Specify LH or RH	2-8, 3-0	6-8'	<b>2-8, 3-0</b>

### Rediflex Specs

SET 31 hinge prep = Three 4-1/2" w/square corners  
**Color:** Rediframe Brown and Ivory  
**Door Size:** 1-3/4" Thickness  
**Casing:** 1-1/4" Flat Steel  
**Strike Prep:** 1-1/4" x 2-3/4" T-strike  
**Type:** NOT Kerfed for weatherstrip  
**Gauge:** 18

### Rediflex Options

#RFRB Closer Reinforce Bracket  
 #RFDBS4 Dead Bolt Strike Plate - US4  
 #RFDBS2 Dead Bolt Strike Plate - US26D  
 #RFDBS0 Dead Bolt Strike Plate - US10B  
 #RFDBSCB Dead Bolt Strike Cover  
 #RF30CS Rediframe Casing Set



These frames meet a 90 minute fire rating.

For additional hardware click here <http://www.windowanddoorhardware.com>